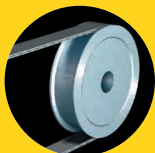


Fits almost any kind of sheave!



V-BELT



FLAT BELT



TIMING BELT



CHAIN DRIVES

Belt Alignment

D92

EASY TO USE

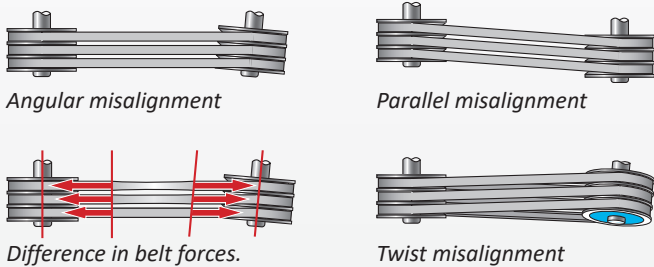
The tool is attached in a few seconds, and you can easily see the laser line projected onto the targets. When the line lies in the slots of the targets, the machine is in the right position. The result is a fast, precise alignment.

- Much faster and more accurate than measuring with earlier, conventional methods
- Alignment can be made by one operator
- Also suitable for non-magnetic sheaves

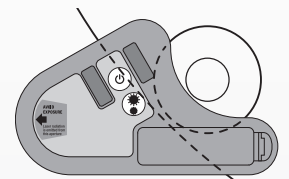
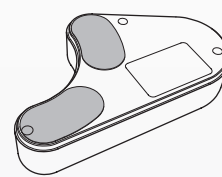
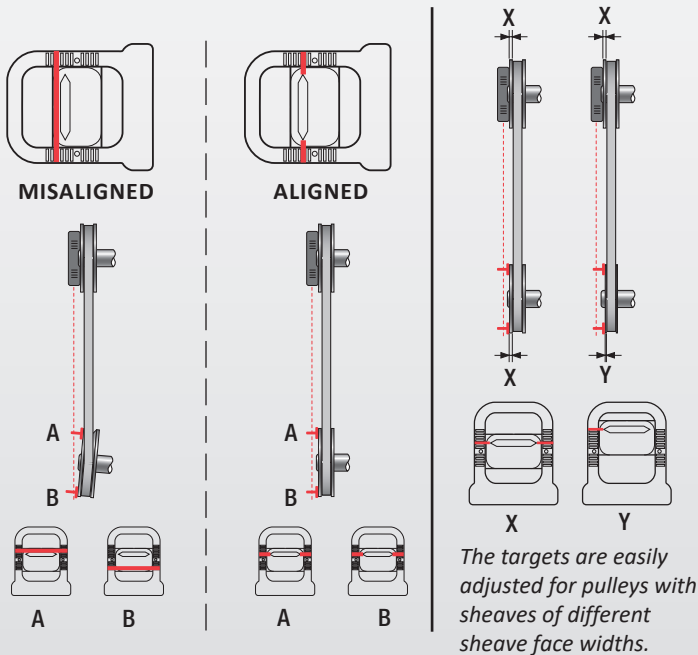
ALIGNMENT SAVES MONEY

When aligning with the Easy-Laser® BTA you reduce the wear on sheaves/pulleys, belts, bearings and seals as well as reducing vibration. Increased efficiency also means large energy cost savings. Especially transmissions with two or more belts, or wide belts, are highly affected by misalignment, causing large differences in belt tensions and also increased wear and tear on belt edges.

EXAMPLE OF PULLEY MISALIGNMENT



HOW IT WORKS



Magnetic reference surface on both transmitter and target for easy attachment to the sheaves. On non-magnetic sheaves the units can be mounted with double sided tape.

Thanks to the clever design the units fit small as well as large sheaves.

Easy-Laser® D92 BTA, Part No. 12-1332

- 1 Laser transmitter
- 2 Targets
- 1 Padded case
- 1 Manual
- 1 Battery R6 (AA) 1.5 V

Laser transmitter

Sheave diameters	Ø60 mm [2.5"] and larger
Measurement distance*	40 mm to 3 m [1.6" to 10"] (LOW power mode) 0.5 m to 10 m [20" to 33"] (HIGH power mode)
Laser class	2
Output power (average)	< 0.6 mW (LOW power mode) < 4.8 mW (HIGH power mode)
Laser wavelength	635-670 nm
Beam angle	60°
Accuracy	Laser plane – Reference plane: Parallelity: < 0.05°, Offset < 0.2 mm [0.008"]
Battery type	1xR6 (AA) 1.5 V
Battery operation	Up to 12 h continuously
Material	ABS plastics / Hard anodized aluminium
Dimensions	WxHxD: 145x86x30 mm [5.7x3.4x1.2"]
Weight	265 g [9.35 oz]



Small, padded transportation bag fits easily in any tool case.



Belt clip on back side.

Easy-Laser® is manufactured by Easy-Laser AB, Alfagatan 6, SE-431 49 Mölndal, Sweden
 Tel +46 31 708 63 00, Fax +46 31 708 63 50, e-mail: info@easylaser.com, www.easylaser.com
 © 2022 Easy-Laser AB. We reserve the right to make changes without prior notification.
 Easy-Laser® is a registered trademark of Easy-Laser AB.
 *NOTE: The useful measurement range may be shorter in bright ambient light conditions.
 Documentation ID: 05-1018 Rev1